

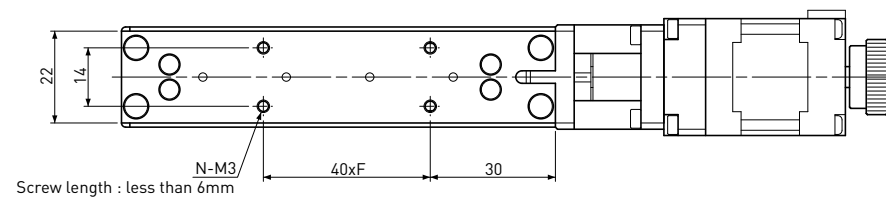
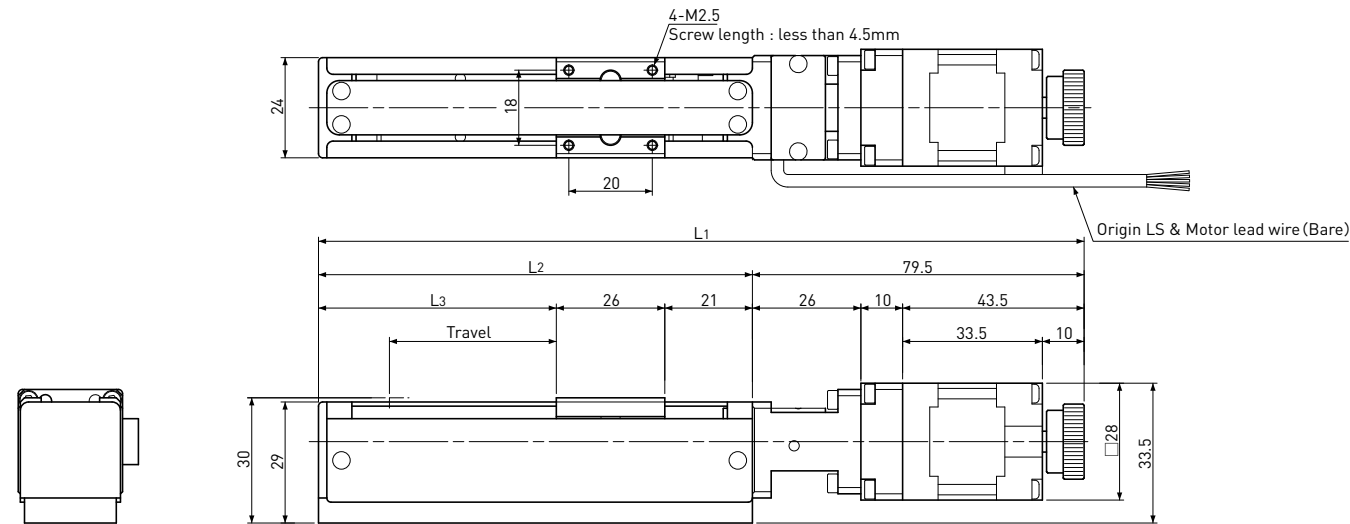
Flex Actuator

2-phase Stepping Motor (Uni-polar 0.95A / phase & □28) with Resin Lead Screw type Actuator

Motor Model : TS3641N11E2(Double shaft)
TAMAGAWA SEIKI
Driver recommendation : KS9110

Connector choice

Please designate connector type below.
No connector if there is no designation.
1) None (Bare)
2) RP17-13J-12SC (HIROSE)
3) EI-Connector (Tyco Electronics)
172211-6 pins for Motor + 172211-4 pins for Sensor



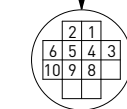
Limit Switch

COM	Black
ORGLS Sensor	White

Motor

A	Black
COM1	Yellow
A̅	Green
B	Red
COM2	White
B̅	Blue

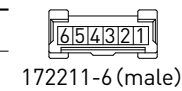
Upper side (white dot)



RP17-13J-12SC (female)

HIROSE RP17 Connector

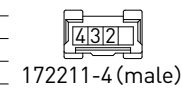
1	Stepping Motor COM1 (Yellow)
2	Stepping Motor COM2 (White)
3	Stepping Motor A (Black)
4	Stepping Motor A̅ (Green)
5	Stepping Motor B (Red)
6	Stepping Motor B̅ (Blue)
7	None
8	COM (Black)
9	Short circuit with No.8
10	ORGLS Sensor NC (White)
11	None
12	None



172211-6 (male)

EI Connector

1	Stepping Motor COM1 (Yellow)
2	Stepping Motor COM2 (White)
3	Stepping Motor A (Black)
4	Stepping Motor A̅ (Green)
5	Stepping Motor B (Red)
6	Stepping Motor B̅ (Blue)
7	None
8	COM (Black)
9	Short circuit with No.8
10	ORGLS Sensor NC (White)
11	None
12	None



172211-4 (male)

Note

- 1) Acceleration & deceleration rate is our recommendation.
- 2) There should be no condensation when using.
- 3) Permissible Moment is the number when no load in other direction.
- 4) Resolution represents the values for full step.
- 5) Model number is for no-connector and lead wire is set on right side on Motor

Model Number	Travel (mm)	Screw Lead (mm)	Resolution (μm)	Length (mm)			M-thread hole		Max. Load Capacity (N)		Permissible speed (mm / sec)	Mass (g)
				L ₁	L ₂	L ₃	F	N	Hor.	Vert.		
FAS-Re020-040TNR	40	2	10	183.5	104	57	1	4	9.8	4.9	4 ~ 30	270
FAS-Re060-040TNR		6	30									
FAS-Re090-040TNR		9	45									
FAS-Re020-080TNR	80	2	10	223.5	144	97	2	6	9.8	4.9	4 ~ 30	315
FAS-Re060-080TNR		6	30									
FAS-Re090-080TNR		9	45									
FAS-Re060-120TNR	120	6	30	263.5	184	137	3	8	9.8	4.9	12 ~ 90	355
FAS-Re090-120TNR		9	45									
FAS-Re060-160TNR	160	6	30	303.5	224	177	4	10	9.8	4.9	12 ~ 90	400
FAS-Re090-160TNR		9	45									
FAS-Re060-200TNR	200	6	30	343.5	264	217	5	12	9.8	4.9	12 ~ 90	440
FAS-Re090-200TNR		9	45									

Note 1) In case of Resin Lead Screw type, Lubrication is Sumitec Liquid H20 on Resin Lead Screw, Grease MSG No.2 on Guide.
Note 2) Refer to page G134 for connection diagram of recommended Driver (KS9110).

Common Specifications	
Repeatability	Max. ±0.05mm
Lost Motion	Max. 0.05mm
Body Material	Aluminum
Sliding guide	Slide Guide rail
Sensor	Limit switch
Accuracy of Zero pt. return	Max. ±0.05mm
Acceleration & Deceleration Rate	Min. 100ms / kHz
Permissible Moment	
Pitching Mp	0.10Nm
Yawing My	0.09Nm
Rolling Mr	0.23Nm
Lubrication	See Note
Operating Temp.	0 ~ 40°C