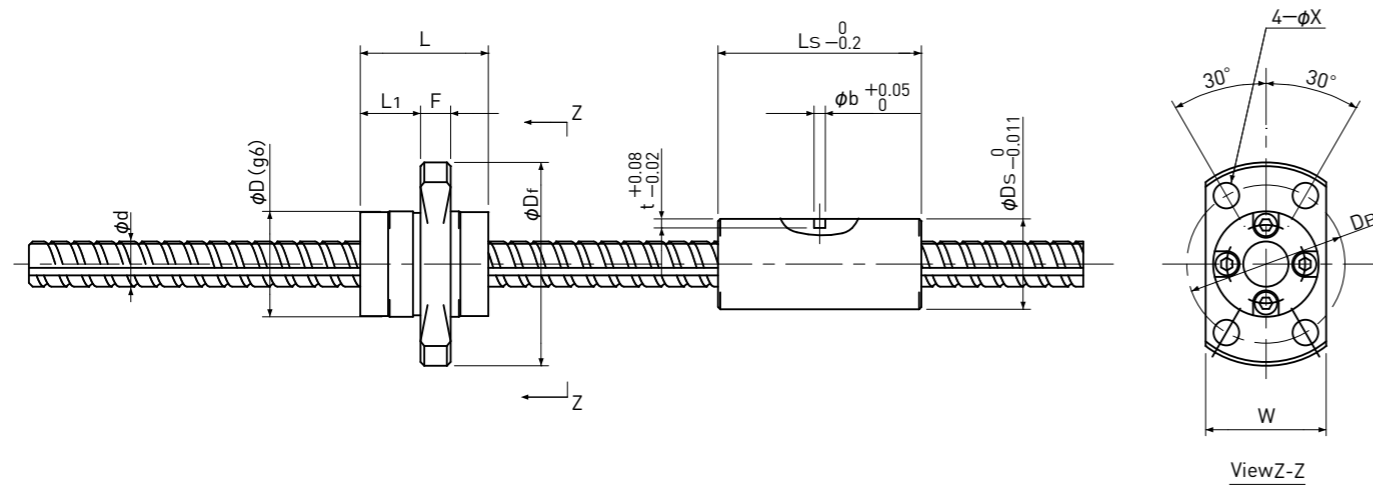


# Ball Screw with Ball Spline

## Overlap type



Type-2 : End-cap type (Ball Screw Nut)

Unit:mm

Ball Nut Model number	Shaft nominal dia. d	Ball Screw part													Ball Spline part							Bore hollow	Shaft Inertia Kgmm <sup>2</sup> /mm	Ball Nut Model number			
		Lead	Basic Load Rating (Reference)		Nut dimension										Basic Load Rating (Reference)		Basic Torque Rating (Reference)		Permissible Moment (Ref.) Mo Nm	Nut dimension							
			Ca N	Coa N	Nut type	Nut mass g	D	D <sub>f</sub>	L	L <sub>1</sub>	F	W	D <sub>p</sub>	Bolt Hole X	Cr N	Cor N	Ct Nm	Cot Nm		Nut mass g	OD. D <sub>s</sub>				Length L <sub>s</sub>	Pin hole	
BSSP 0606	6	6	(600)	(900)	2	20	14	27	17	8	4	16	21	3.4	(650)	(1000)	(1.7)	(1.2)	(2.2)	14	12	27	1.5	1.2	2	9.99×10 <sup>-10</sup>	BSSP 0606
BSSP 0610		10	(650)	(900)	2	20	14	27	23	11.5	4	16	21	3.4	(750)	(1200)	(1.9)	(1.3)	(2.4)								BSSP 0610
BSSP 0812	8	12	(1400)	(2000)	2	40	18	31	27	17	4	20	25	3.4	(1100)	(1700)	(3.8)	(2.8)	(2.7)	22	15	30	2.0	1.5	3	31.6×10 <sup>-10</sup>	BSSP 0812

- Note 1) Please note that Bore hollow is an option, not a standard. In some cases Bore hollow is not available due to Shaft length.
- Note 2) If special profile of Ball Screw Nut / Ball Spline Nut, please ask KSS representative.
- Note 3) Basic Load Rating, Basic Torque Rating and Permissible Moment are theoretical number based on effective number of Balls. They may vary drastically depending on operating condition. Please consider them just reference.
- Note 4) It is difficult to estimate theoretical life, because of combined products with Ball Spline which withstands Radial Load and Ball Screw for Axial Load. We would recommend that final decision should be based on your evaluation on actual machine or our experimental data.
- Note 5) Maximum Load Capacity should be considered 10N.
- Note 6) Maximum limit of Shaft length is 150mm(for  $\phi 6$ ), 200mm(for  $\phi 8$ ). Please ask KSS in case of exceeding limit length.

Multi-purpose products

Multi-purpose products