

Super slim units with refined precision

KUMINA

KUMINA Series



Features

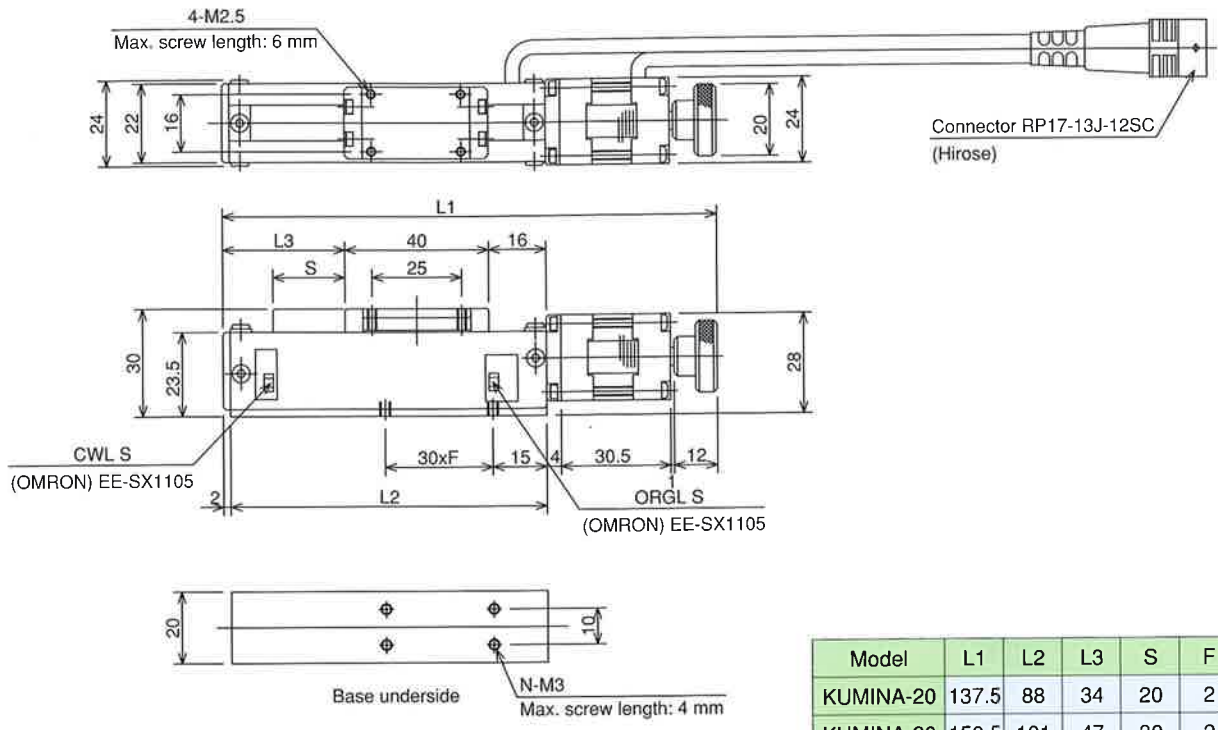
- Super-slim miniature actuators, up to 24 mm wide and 30 mm high (palm-sized).
- Precision ground miniature ball screws are used, resulting in ultra-precision, high durability, and high resolution.
- These units incorporate photo sensors (CW / CCW), despite their ultra-compact size.
- Ideal for high-precision positioning of small components, and dose control.

Specifications (Standard products)

Model	Units	KUMINA-20-24	KUMINA-30-24	KUMINA-60-24
Stroke	(mm)	20	30	60
Repeated positioning accuracy	(mm)		± 0.005	
Maximum horizontal load capacity	N (kgf)		29.4 (3.0)	
Maximum vertical load capacity	N (kgf)		10.2 (1.0)	
Maximum load moment	N · m (kgf · cm)		Mp: 0.6 (6.2) My: 0.6 (6.2) Mr: 1.17 (11.4)	
Maximum speed	(mm/sec)		20	
Initial lost motion	(mm)		0.005 max.	
Lead	(mm)		1	
Resolution	(mm/step)		0.002 (For full step)	
Weight	(kg)	0.2	0.21	0.23
Motor		Five-phase stepping motor, 0.35 A/phase (24mm x 24mm)		
Sensor		Photo micro sensor (2 points, motor side and opposite side): 5V DC, 50mA		
Operating temperature range	(°C)	0 ~ 40		

* Maximum load moments - Mp: Permissible moment in screw pitch direction; My: Permissible yaw moment; Mr: Permissible rolling moment

Specifications diagram



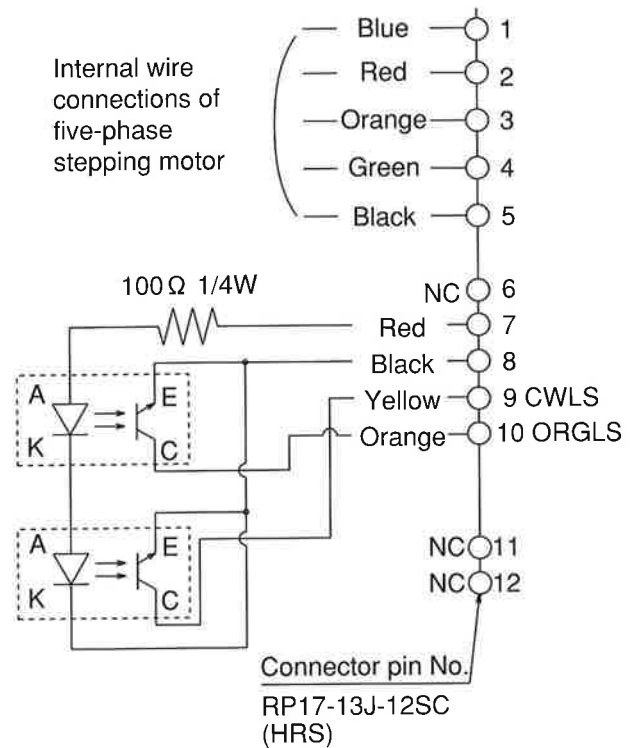
Model	L1	L2	L3	S	F	N
KUMINA-20	137.5	88	34	20	2	6
KUMINA-30	150.5	101	47	30	2	6
KUMINA-60	180.5	131	77	60	3	8



Applications

Ideal for applications demanding high accuracy, such as precision positioning devices for small component installations, measuring equipment, desktop testing equipment, and precision dispensers.

Wire connection diagram



★ Special custom orders and single-unit orders are welcome.