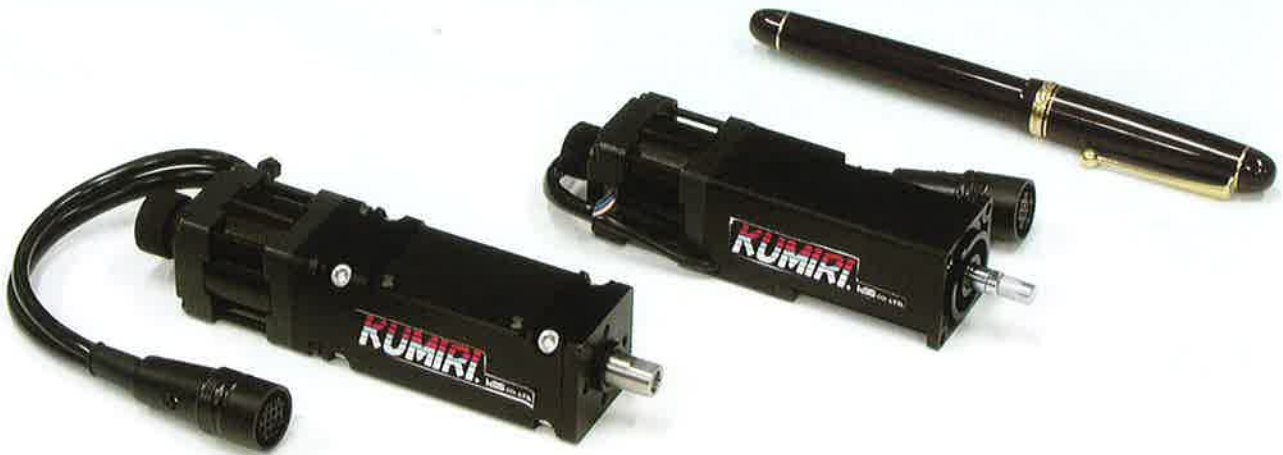


Miniature electrically powered cylinder for microscopic feeding



KUMIRI Series



Features

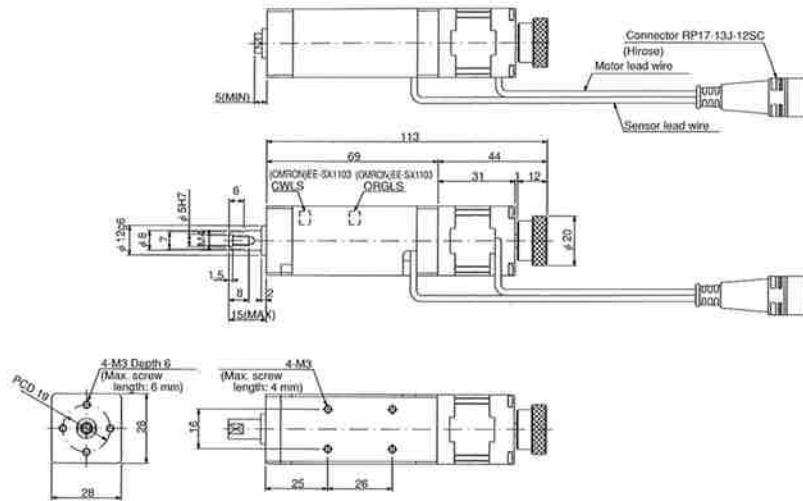
- Ultra-compact, small-stroke, rod-type actuator. (Palm-sized)
- Ideal for applications such as electrically powering micrometer heads.
- Precision ground ball screw or precision lead screws are used, resulting in high precision and high resolution.
- Even for such small size, A Built in photo sensor (CW, CCW) is at both ends
- Plastic parts are used, enabling low-cost construction. (KUMIRI-5)
- Metal parts and 0.5mm lead ball screw are used, resulting in high rigidity and ultra-precision. (KUMIRI-5SP)

Specifications (Standard products)

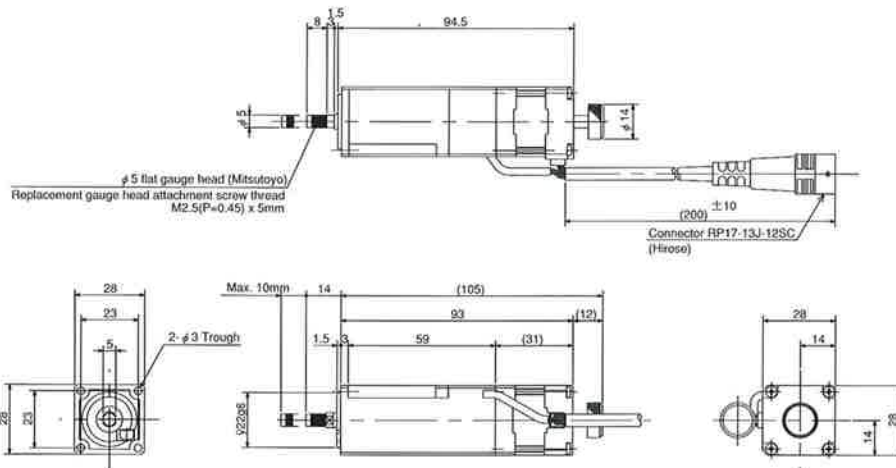
Model	Units	KUMIRI-5	KUMIRI-5SP
Stroke	(mm)	10	
Repeated positioning accuracy	(mm)	± 0.005	± 0.002
Axial thrust	N (kgf)	29.4 (3.0)	29.4 (3.0)
Maximum speed	(mm/sec)	5	10
Drive system		Lead screw, M4, pitch : 0.5 mm	Precision ground ball screw, lead : 0.5 mm
Motor		Five-phase stepping motor, 0.35 A/phase (28 mm x 28 mm)	
Initial lost motion	(mm)	0.01max.	0.005max.
Resolution	(mm/step)	0.001 (For full step)	
Weight	(kg)	0.2	0.27
Sensor		Photo micro sensor (2 points, motor side and opposite side) : 5V DC, 50mA	
Operating temperature range	(°C)	0 ~ 40	

Specifications diagram

KUMIRI-5SP



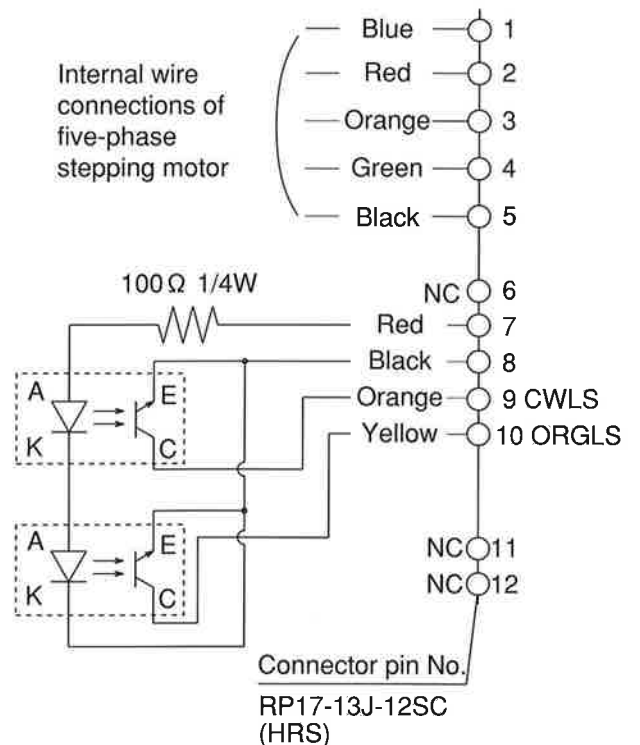
KUMIRI-5



Applications

Ideal for applications demanding smaller units and microscopic feeding, such as changing micrometer heads when manual stages are automated, fine angular adjustment, rotation control, precision dispensing, and mirror movement.

Wire connection diagram



★ Special custom orders and single-unit orders are welcome.