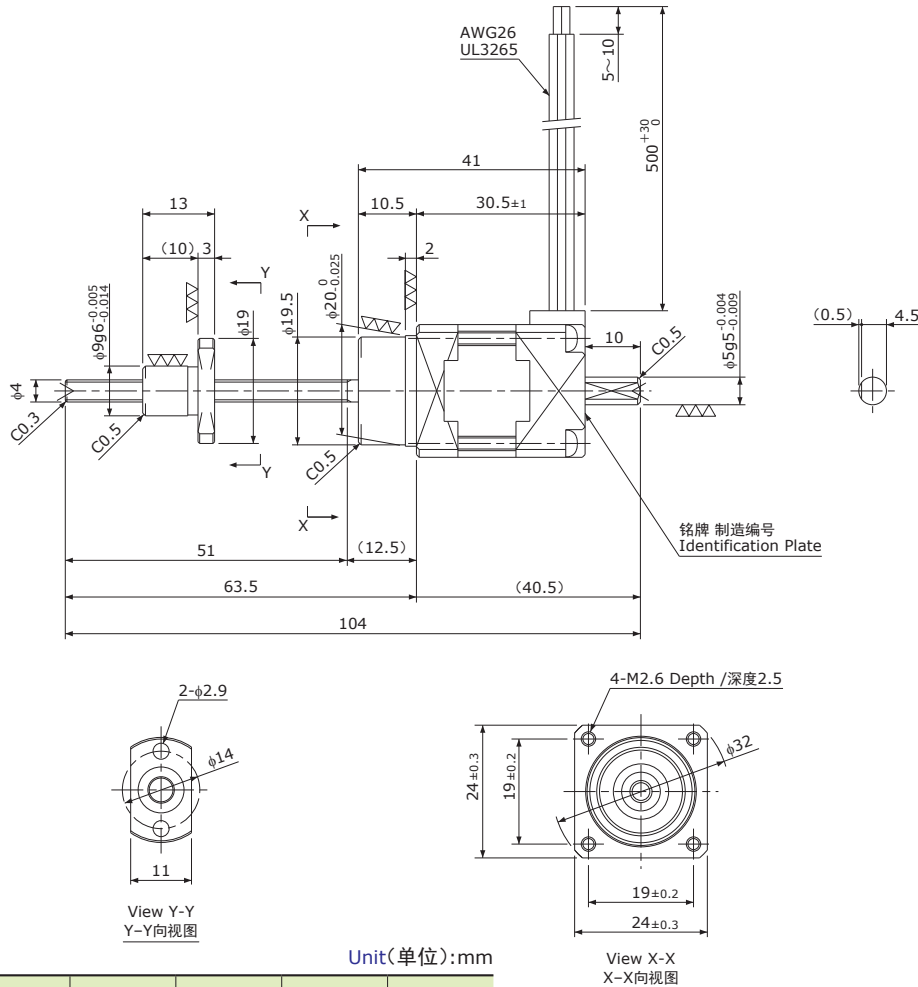


精密滚珠丝杠+5相步进电机 / Precision Ball Screw + 5-Phase Stepping Motor

MB □24 / NEMA 10

Shaft dia.(轴径)φ4



Unit(单位):mm

Model 型号	Lead 导程	Travel 行程	Reference Thrust 参考推力 (N)	Mass 质量 (g)
MB0401	1	30	50	100

Recommended Drivers 推荐驱动器	KR-A5CC KR-A55MC(Micro step) KR-A535M(Micro step / AC-100~220V)
------------------------------	---

Note) Refer to page P162 or P163 for connection diagram of recommended Drivers.
注) 有关与推荐驱动器的接线, 请参照P162或P163页。

Ball Screw Specifications 滚珠丝杠主要技术参数	
Accuracy grade 精度等级	JIS C3
Thread direction 旋向	Right 右
Axial play 轴向间隙	0mm
Shaft material 丝杠轴材质	Stainless steel 不锈钢
Nut material 螺母材质	Chrome-molybdenum steel 铬钼钢
Surface hardness 螺纹部表面硬度	Min. HRC55 (Thread area)
Lubricant 润滑剂	KSS original grease MSG No.1 KSS原装油脂 MSG No.1

Motor Specifications 电机参数	
Basic step angle 基本步进角	0.72°
Rated Voltage 额定电压	DC 0.83 V
Rated current 额定电流	DC 0.75 A/phase DC 0.75 A/相
Winding resistance 绕组电阻	1.1Ω
Holding Torque 保持扭矩	0.018Nm
Rotor inertia 转子惯量	4.2g·cm ²
Operating temperature 使用温度范围	-20°C~50°C

Note) Only shaft end cutting is available.
Other than that, it would be customized order.
注) 只能裁切轴端。
其他轴端形状为定制产品。