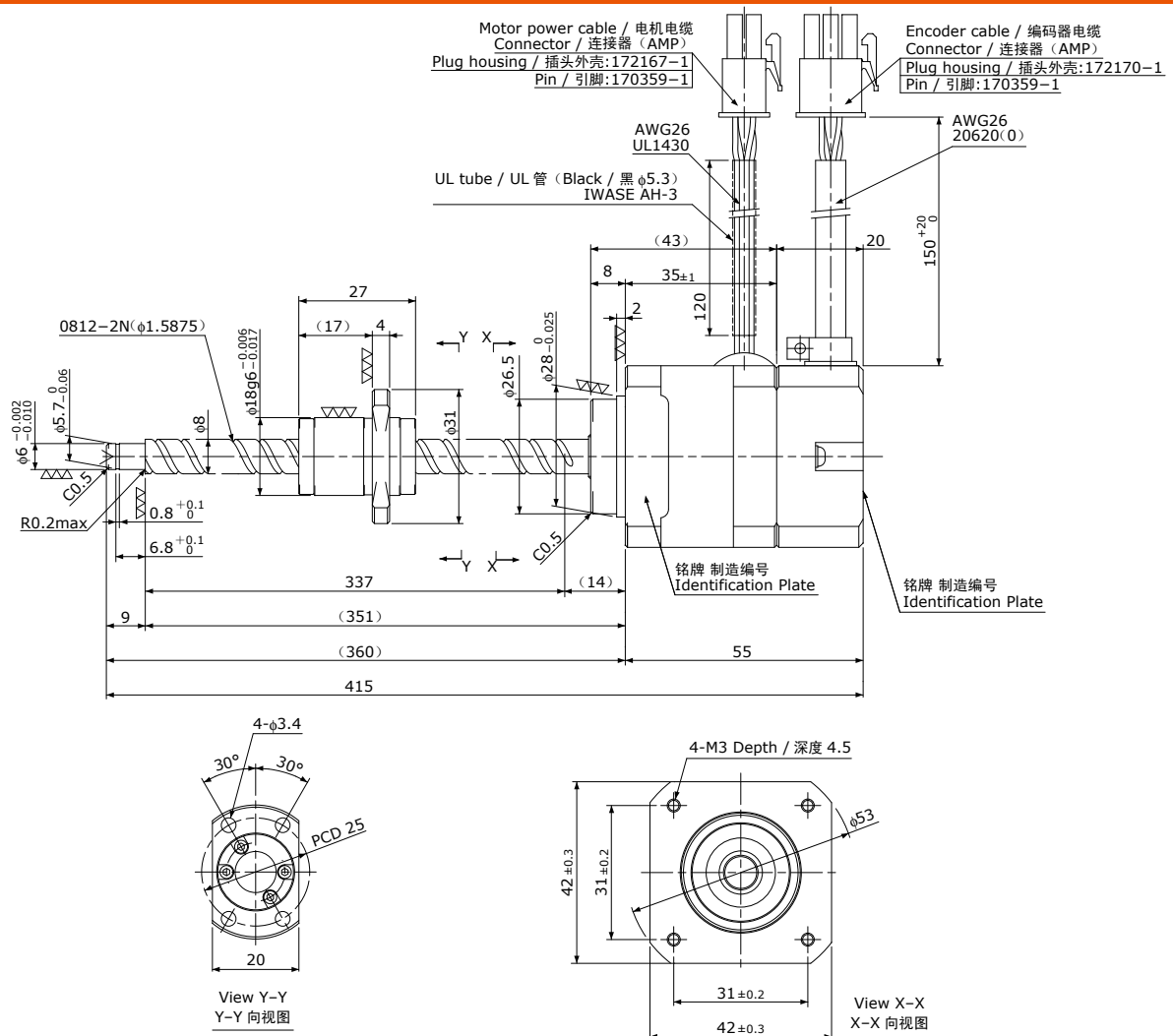


精密滚珠丝杠+带编码器2相步进电机 / Precision Ball Screw + 2-phase Stepping Motor with Encoder

# SiMB0812

Shaft dia.(轴径)φ8 Lead(导程)12mm  
Travel(行程)300mm



注1) Si-MB需要专用驱动器 (Si-02LDE)。

注2) 只能裁切轴端。其他轴端形状为定制产品。

Note1) Exclusive Driver (Si-02LDE) is required this type.

Note2) Only shaft end cutting is available. Other than that, it would be customized order.

Recommended accessories 推荐的配件	Motor side Supporting plate / 电机侧支架板	MP-42A or MP-42B
	Supported side Bracket / 支撑侧托架	SP-42
	Nut Block / 螺母块	NB-0812R

Ball Screw Specifications	主要技术参数
Accuracy grade 精度等级	JIS C5
Thread direction 旋向	Right 右
Axial play 轴向间隙	0.005mm or less 0.005mm以下
Reference Thrust 参考推力	30N
Shaft material 丝杠轴材质	Stainless steel 不锈钢
Nut material 螺母材质	Chrome-molybdenum steel 铬钼钢
Surface hardness 螺纹部表面硬度	Min. HRC55 (Thread area)
Lubricant 润滑剂	Multemp PS-2 Multemp PS-2

Motor Specifications	电机参数
Basic step angle 基本步进角	1.8°
Driving method 励磁方式	2-phase Bi-polar 2相双极方式
Rated Voltage 额定电压	DC 2.2 V
Rated current 额定电流	DC 2.0A
Winding resistance 绕组电阻	1.1 Ω
Holding Torque 保持扭矩	0.24Nm
Rotor inertia 转子惯量	35g·cm <sup>2</sup>
Operating temperature 使用温度范围	-20°C~50°C
Encoder 编码器	Incremental 400ppr 增量型 400ppr