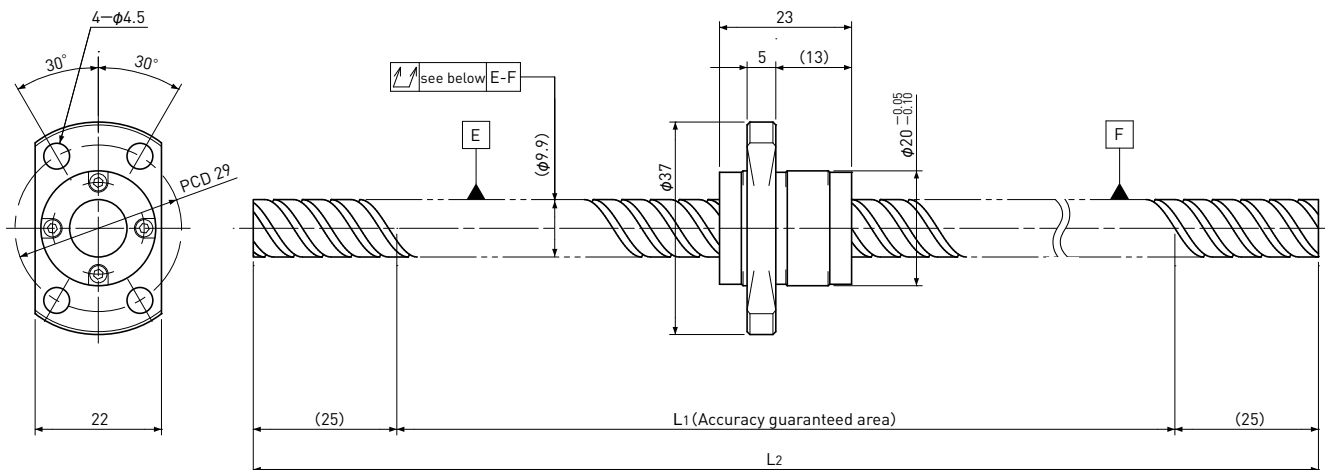


SR1020

Shaft dia. $\phi 10$ Lead 20mm

Ct7&Ct10



Unit: mm

Ball Screw Specifications	
Ball size	$\phi 1.5875$
Number of thread	4
Thread direction	Right
Shaft root dia.	$\phi 8.7$
Number of circuit	0.7×4
Shaft, Nut material	SCM415H
Surface hardness	HRC58~62 (Thread area)
Anti-rust treatment	Anti-rust oil

Unit: mm

Ball Screw Model	Travel	Grade	Shaft length		Lead accuracy		Total Run-out	Axial play	Preload Torque Nm	Basic Load Rating N	
			L ₁	L ₂	Travel deviation e_p	Variation V_{300}				Dynamic Ca	Static Coa
SR1020-450R450C7	375	Ct7	400	450	± 0.06	0.05	0.120	~ 0.020	—	2100	4000
SR1020-450R450C10	375	Ct10	400	450	± 0.28	0.21	0.240	~ 0.050			

Note) Please designate end-journal profile with your sketch.