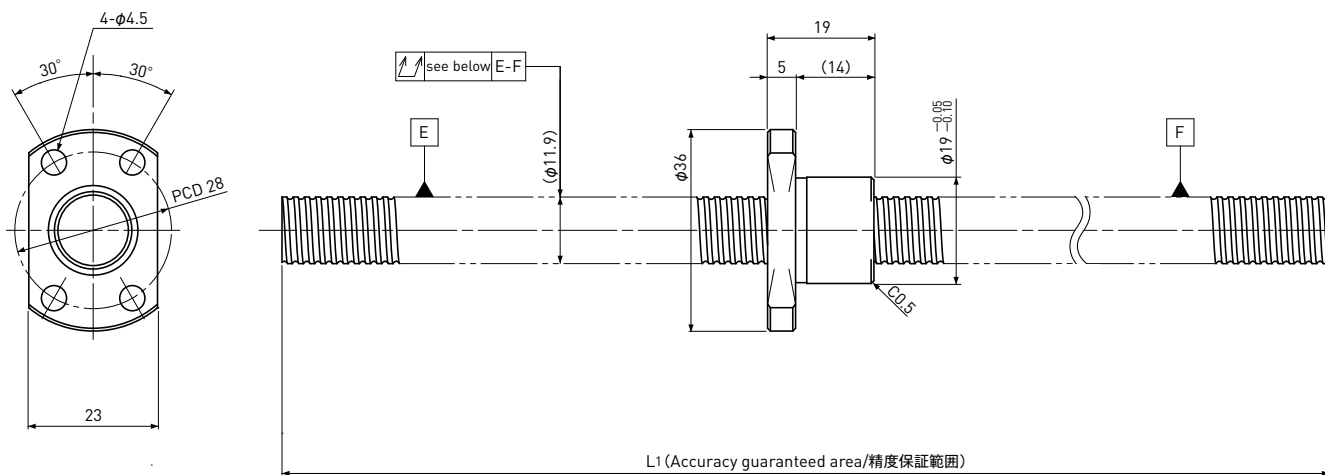


# PSR1202K

Compact Nut

Shaft dia.  $\phi 12$  Lead 2mm

C5



Unit: mm

Ball Screw Specifications		
Ball size	$\phi 1.2$	
Number of thread	1	
Thread direction	Right	
Shaft root dia.	$\phi 11.0$	
Number of circuit	1×3	
Material	Shaft	S55C
	Nut	SCM415H
Surface hardness	HRC58~ (Thread area)	
Anti-rust treatment	Anti-rust oil	

Unit: mm

Ball Screw Model	Travel	Shaft length	Travel deviation $e_p$	Total Run-out 	Axial play	Basic Load Rating N	
		$L_1$				Dynamic $C_a$	Static $C_oa$
PSR1202K-280R280C5	255	280	$\pm 0.023$	0.055	$\sim 0.005$	1600	3700

Note) Please designate end-journal profile with your sketch.