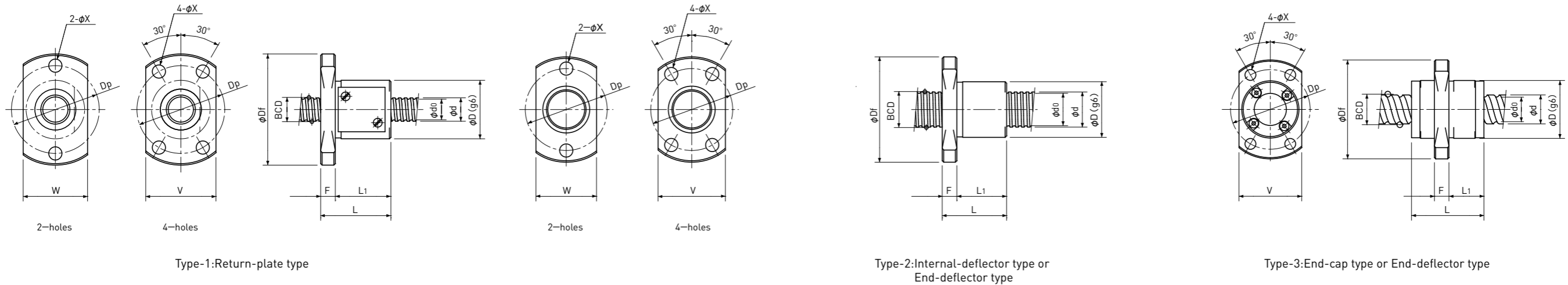


Precision Ball Screws

Single Nut with Flange

Backlash type/Preload type



Unit: mm

Ball Nut Model number	Shaft nominal dia. d	Lead	Ball size	BCD	Lead angle	Root dia. d_0	Number of Circuit	Basic Load Rating N		Nut Rigidity N/ μ m	Nut dimension										Ball Nut Model number
								Dynamic Ca	Static Coa		Nut type	D	Df	L	L ₁	F	W	V	Dp	Bolt Hole X	
FKB 1201 A	12	1	0.8	12.20	1°30'	11.3	1×3	780 / 780	2000 / 2000	97 / 152	2	17	34	16	11	5	19	21	26	4.5	FKB 1201 A
FBS 1201 B	12	1	0.8	12.15	1°30'	11.3	3.7×1	910 / 570	2400 / 1200	131 / 110	1	22	40	18	13	5	24	24	32	4.5	FBS 1201 B
FKB 1202 A	12	2	1.2	12.30	2°58'	11.0	1×3	1600 / 1600	3700 / 3700	109 / 169	2	19	36	19	14	5	21	23	28	4.5	FKB 1202 A
FBS 1202 B	12	2	1.5875	12.30	2°58'	10.6	3.7×1	3000 / 1900	6400 / 3200	156 / 132	1	25	45	25	19	6	27	27	36	5.5	FBS 1202 B
FKB 1202.5 A	12	2.5	1.5875	12.40	3°41'	10.7	1×3	2300 / 2300	4700 / 4700	112 / 174	2	20	37	21	16	5	22	24	29	4.5	FKB 1202.5 A
FBS 1202.5 B	12	2.5	1.5875	12.30	3°42'	10.6	3.7×1	3000 / 1850	6400 / 3200	156 / 130	1	26	46	27	21	6	28	28	37	5.5	FBS 1202.5 B
FKB 1203 A	12	3	2.0	12.50	4°22'	10.4	1×3	3100 / 3100	5700 / 5700	115 / 179	2	22	41	32	26	6	24	26	32	5.5	FKB 1203 A
FBS 1203 B	12	3	2.0	12.30	4°26'	10.2	3.7×1	4300 / 2800	8700 / 4300	162 / 137	1	28	48	30	24	6	30	30	39	5.5	FBS 1203 B
FBS 1204 B	12	4	2.381	12.30	5°55'	9.8	3.7×1	5400 / 3400	10200 / 5100	165 / 139	1	28	48	33	27	6	30	30	39	5.5	FBS 1204 B
FBS 1205 A	12	5	2.381	12.30	7°22'	9.8	2.7×1	4100 / 2500	7400 / 3700	122 / 101	1	28	48	33	27	6	30	30	39	5.5	FBS 1205 A

- Note 1) The diameter of one of the Screw Shaft ends must be less than the Screw Shaft Root diameter, otherwise Ball Nut cannot be installed.
- Note 2) Ball Nut dimension is without seal at the both ends. If the seals are required, Ball Nut dimension should be changed, in that case, please ask KSS. Some type of Ball Nuts cannot equip with seals, please ask KSS representative.
- Note 3) The Rigidity values shown in the table are theoretical values of Ball Nut Rigidity calculated from the amount of Elastic Displacement under the following conditions. Backlash type ; Apply the Axial load equivalent to 30% of the Basic Dynamic Load Rating Ca. Preload type ; Apply the Preload equivalent to 5% of the Basic Dynamic Load Rating Ca. For Axial load or Preload condition other than the above, see the formula in p-A823, you can calculate Rigidity using this formula.
- Note 4) All models are Right-hand Screw. If Left-hand Screw is required, please ask KSS representative.
- Note 5) Basic Load Rating and Rigidity for Backlash type and Preload type are described in the same cell.

Basic Load Rating N		Nut Rigidity N/ μ m
Dynamic Ca	Static Coa	
1000 / 640	3300 / 1650	164 / 138

Preload type
Backlash type