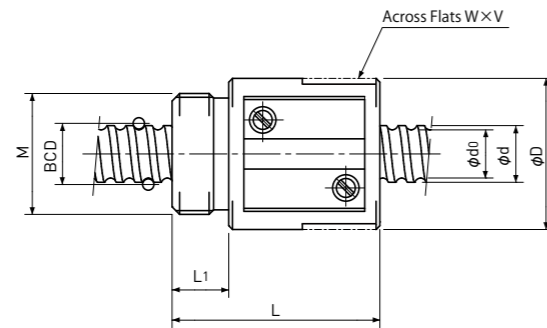


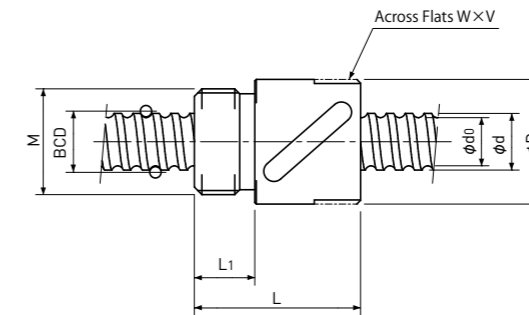
Precision Ball Screws

Single Nut with M-thread

Backlash type/Preload type



Type-1:Return-plate type



Type-2:Return-tube type

Unit:mm

Ball Nut Model number	Shaft nominal dia. d	Lead	Ball size	BCD	Lead angle	Root dia. d ₀	Number of Circuit	Basic Load Rating N		Nut Rigidity N/μm	Nut dimension						Ball Nut Model number	
								Dynamic Ca	Static Coa		Nut type	D	L	L ₁	Across Flats width W	Across Flats length V		M
MS 1002 B	10	2	1.5875	10.30	3°32'	8.6	3.7x1	2700 / 1750	5300 / 2700	134 / 112	1	23	27.5	7.5	21	5	M17x1.0	MS 1002 B
MS 1202 B	12	2	1.5875	12.30	2°58'	10.6	3.7x1	3000 / 1900	6400 / 3200	156 / 132	1	25	30	10	23	5	M20x1.0	MS 1202 B
MS 1204 T	12	4	2.381	12.30	5°55'	9.8	2.5x1	3900 / —	7000 / —	113 / —	2	25.5	34	10	23	5	M20x1.0	MS 1204 T
MS 1402 B	14	2	1.5875	14.30	2°33'	12.6	3.7x1	3200 / 2000	7500 / 3800	176 / 148	1	26	30	10	23	5	M22x1.5	MS 1402 B
MS 1404 B	14	4	2.381	14.30	5°05'	11.8	3.7x1	5700 / 3600	11600 / 5800	187 / 157	1	30	38	10	27	8	M25x1.0	MS 1404 B

Note 1)The diameter of one of the Screw Shaft ends must be less than the Screw Shaft Root diameter, otherwise Ball Nut cannot be installed.

Note 2)Ball Nut dimension is without seal at the both ends. All type of Ball Nuts cannot equip with seals.

Note 3)The Rigidity values shown in the table are theoretical values of Ball Nut Rigidity calculated from the amount of Elastic Displacement under the following conditions.

Backlash type ; Apply the Axial load equivalent to 30% of the Basic Dynamic Load Rating Ca.

Preload type ; Apply the Preload equivalent to 5% of the Basic Dynamic Load Rating Ca.

For Axial load or Preload condition other than the above,

see the formula in p-A823, you can calculate Rigidity using this formula.

Note 4)All models are Right-hand Screw. If Left-hand Screw is required, please ask KSS representative.

Note 5)Across Flats or drill hole is available on the Ball Nut for the convenience of assembly. Please ask KSS representative.

Note 6)Basic Load Rating and Rigidity for Backlash type and Preload type are described in the same cell.

Basic Load Rating N		Nut Rigidity N/μm
Dynamic Ca	Static Coa	
1000 / 640	3300 / 1650	164 / 138

Preload type
Backlash type