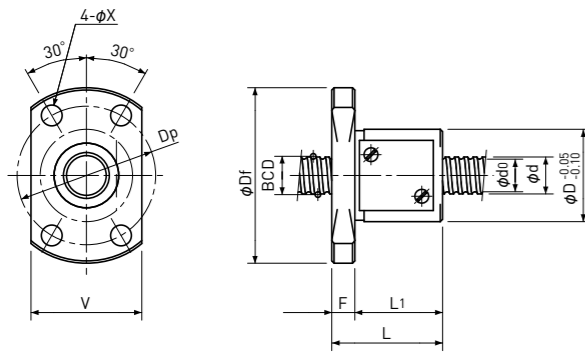


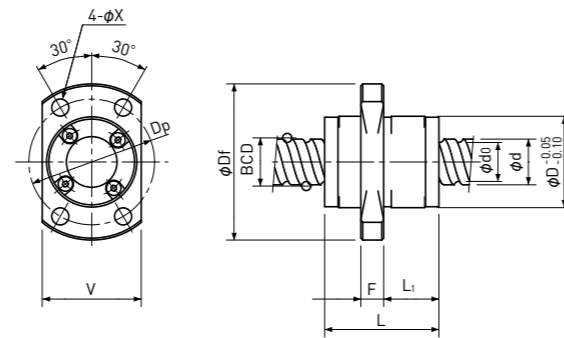
Rolled Ball Screws

Single Nut with Flange

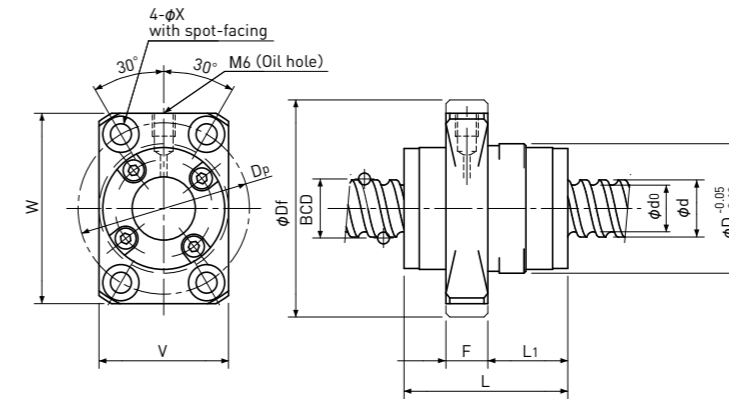
Backlash type



Type-1:Return-plate type



Type-3:End-cap type or End-deflector type



Type-4:End-deflector type

Unit : mm

Ball Nut Model number	Shaft nominal dia. d	Lead	Ball size	BCD	Lead angle	Root dia. d ₀	Number of Circuit	Basic Load Rating N		Nut Rigidity N/μm	Nut dimension										Ball Nut Model number
								Dynamic Ca	Static Coa		Nut type	D	Df	L	L ₁	F	W	V	Dp	Bolt Hole X	
MRB 1312	13	12	2.381	13.50	15° 48'	11.0	1.6×2	5000	9900	151	3	28	45	30	17	5	—	30	37	4.5	MRB 1312
MRB 1315	13	15	2.381	13.50	19° 29'	11.0	1.6×2	5000	10300	147	3	28	45	35	22	5	—	30	37	4.5	MRB 1315
MRB 1320	13	20	2.381	13.50	25° 15'	11.0	1.6×2	5000	10700	142	3	28	45	43	29	5	—	30	37	4.5	MRB 1320
MRB 1402	14	2	1.5875	14.30	2° 33'	12.6	3.7×1	3200	7500	176	1	26	45	25	19	6	—	28	36	5.5	MRB 1402
MRB 1404	14	4	2.381	14.30	5° 05'	11.8	3.7×1	5700	11600	187	1	30	49	33	27	6	—	32	40	5.5	MRB 1404
MRB 1505	15	5	3.175	15.50	5° 41'	12.2	3.7×1	8900	17000	208	4	34	57	33	16	11	50	34	45	5.5	MRB 1505
MRB 1510	15	10	3.175	15.50	11° 36'	12.2	2.7×2	12000	25000	289	4	34	57	43	21	11	50	34	45	5.5	MRB 1510
MRB 1520	15	20	3.175	15.75	22° 01'	12.7	1.7×2	8000	16000	178	4	34	57	52	28.5	11	50	34	45	5.5	MRB 1520

Note 1) All models are Right-hand screw.

Note 2) The diameter of the Screw Shaft both ends must be less than the Screw Shaft Root diameter, because of production and Nut assembly reason.

Note 3) Ball Nut dimension is without seal at the both ends. All type of Ball Nuts cannot equip with seals.

Note 4) Rigidity

The Rigidity values shown in the table are theoretical values calculated from the amount of Elastic Displacement under the Axial load equivalent to 30% of the Basic Dynamic Load Rating Ca.

For Axial load condition other than the above, see the formula in p-A823, you can calculate Rigidity using this formula.

Note 5) Stainless Rolled Ball Screw

Stainless Rolled Ball Screw is available for Ball Nut Model Number marked **.