

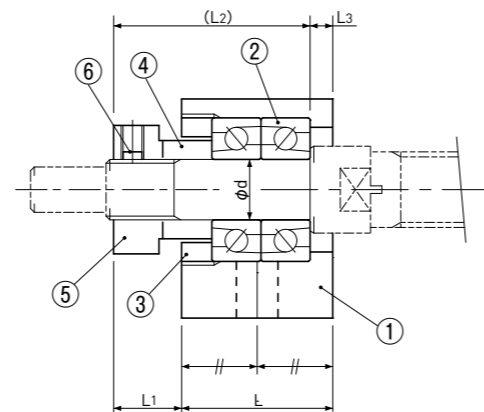
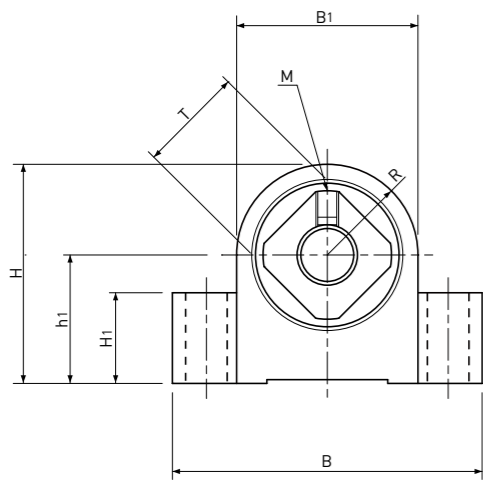
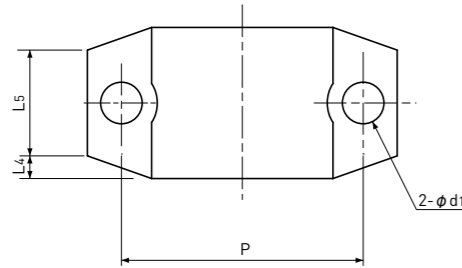
● Model number notation

MSU - 5 C S

① ② ③ ④

- ① Series No.
MSU : KSS Compact Support Unit Series
- ② Nominal number
- ③ Housing type
C : Pillow type
G : Flange type
- ④ End-journal type
None : fixed side
S : supported side

Note) In some cases, nominal number is not the same as Bearing Inner diameter.



Parts List

Part No.	Part name	Qty
1	Housing (Black Chrome coating)	1
2	Bearings (with Shields)	1 set
3	Pressure Nut	1
4	Collar	1
5	Lock Nut	1
6	Hexagonal socket head set screw (with set piece)	1 set

Unit:mm

Type	Brg. Inner dia. d 0 -0.005	L	L ₁	L ₂	L ₃	L ₄	L ₅	B	H	h ₁ 0 -0.03	B ₁	H ₁		R	P	d ₁	M	T	Lock Nut	Tightening torque of Lock Nut N·cm	Bearing	Mass g	Type
MSU-3C	3	12.5	5.5	16.5	1.5	2	8.5	24	14.5	9	11	5		5.5	18	3.5	M3	8	M3×0.5	80	MTA03-08HP5DF	16.5	MSU-3C
MSU-4C	4	14	5.5	17.5	2	2.5	9	27	17	10	14	6		7	21	3.5	M3	10	M4×0.5	100	MTA04-11HP5DF	27	MSU-4C
MSU-5C	5	15	5.5	18.5	2	2	11	30.5	19.5	11	17	6		8.5	23	4.5	M3	11	M5×0.5	140	MTA05-13HP5DF	35	MSU-5C
MSU-6C	6	17	7.5	22	2.5	2.5	12	35	22.5	13	19	8		9.5	26	5.5	M3	12	M6×0.75	190	MTA06-15HP5DF	50	MSU-6C
MSU-8C	8	20	9	26	3	3	14	41	29	17	24	12		12	32	5.5	M3	14	M8×1.0	200	MTA08-19HP5DF	96	MSU-8C

Note 1) Angular Contact Ball Bearings (manufactured by ISC) are designed for clean room use, they are made of Stainless steel with low contamination grease (NSK LG2) packed.

Note 2) Pressure Nut, Collar and Lock Nut are coated with Black finishing.

Note 3) Do not disassemble Support Unit, as they are pre-loaded and pre-adjusted.