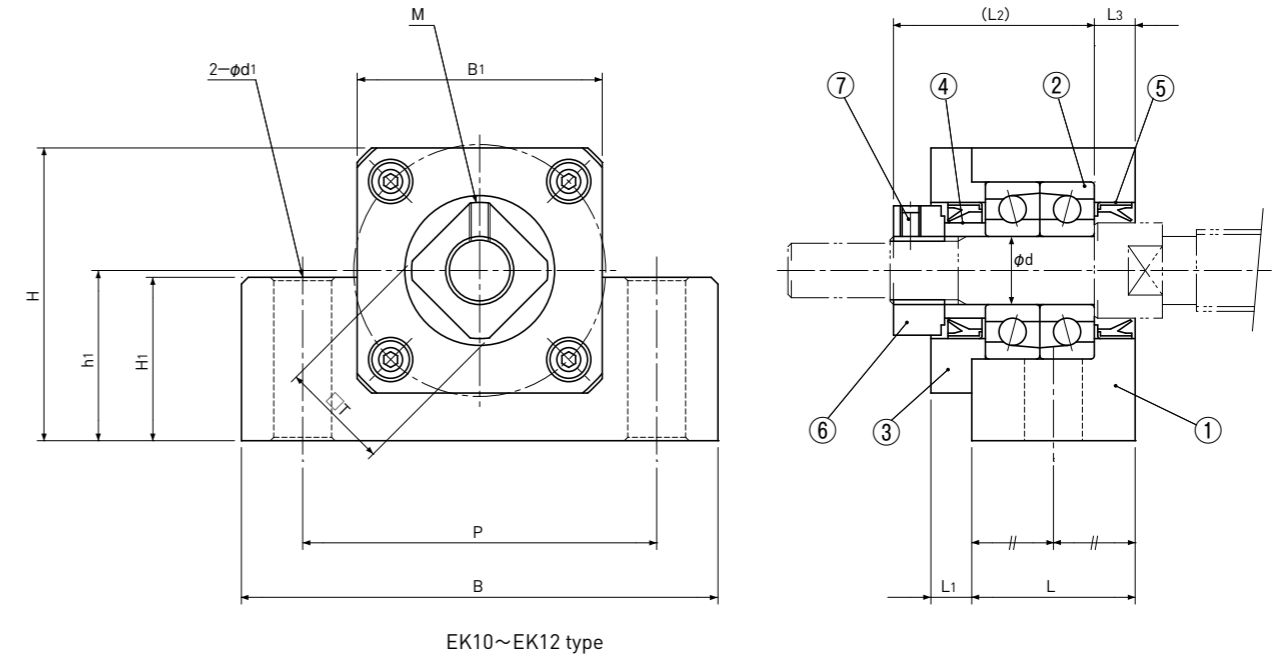
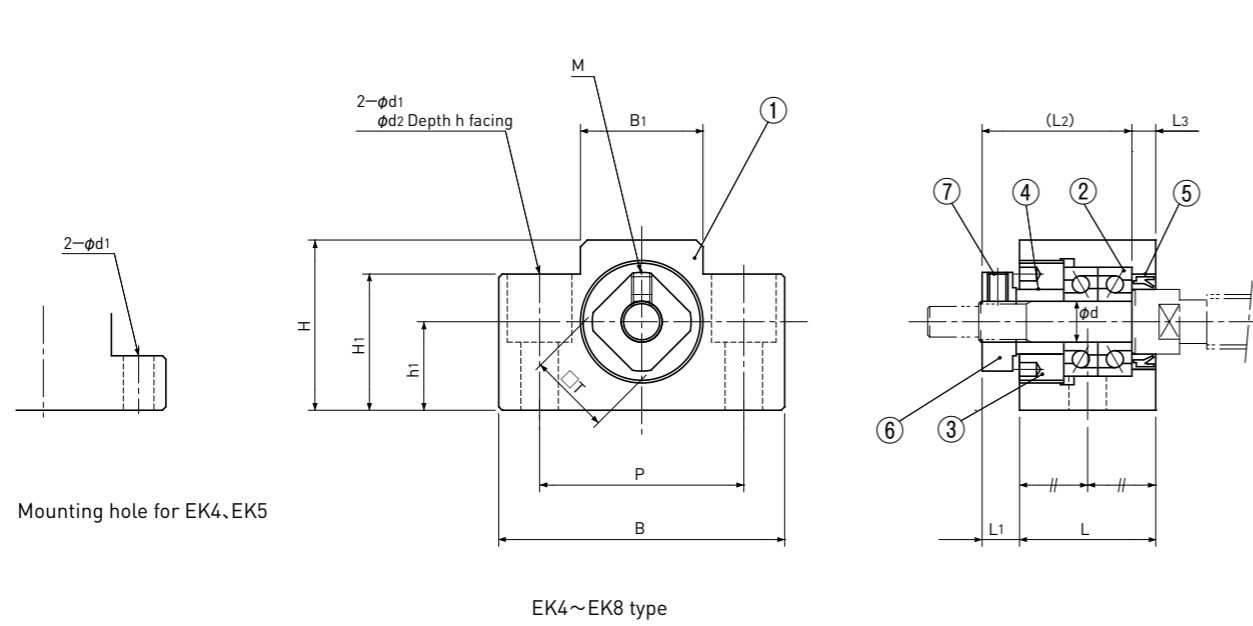


EK series

Block type (Fixed side)



EK4~EK8 Parts List

Part No.	Part name	Qty
1	Housing	1
2	Bearing	1 set
3	Pressure Nut	1
4	Collar	1
5	Seal	1
6	Lock-Nut	1
7	Hexagonal socket head set screw (with set piece)	1

Model number notation

EK 8

① ②

- ① Series No.
- ② Inner diameter of Bearing (mm)

EK10~EK12 Parts List

Part No.	Part name	Qty
1	Housing	1
2	Bearing	1 set
3	Pressure cover	1
4	Collar	1
5	Seal	2
6	Lock-Nut	1
7	Hexagonal socket head set screw (with set piece)	1

Type	Brg. Inner dia. d	L	L1	L2	L3	B	H	h ₁ ±0.02	B ₁	H ₁	P	d ₁	d ₂	h	M	T	Bearing	Mass g	Type
EK 4	4	15	5.5	17.5	3	34	19	10	18	7	26	4.5	—	—	M2.6	10	AC4-12P5	60	EK 4
EK 5	5	16.5	5.5	18.5	3.5	36	21	11	20	8	28	4.5	—	—	M2.6	11	AC5-14P5	80	EK 5
EK 6	6	20	5.5	22	3.5	42	25	13	18	20	30	5.5	9.5	11	M3	12	AC6-16P5	140	EK 6
EK 8	8	23	7	26	4	52	32	17	25	26	38	6.6	11	12	M3	14	AC8-18P5	240	EK 8
EK 10	10	24	6	29.5	6	70	43	25	36	24	52	9	—	—	M3	16	7000DFGMP5	460	EK 10
EK 12	12	24	6	29.5	6	70	43	25	36	24	52	9	—	—	M3	19	7001DFGMP5	440	EK 12

Note) Do not disassemble Support Unit, as they are pre-loaded and pre-adjusted.