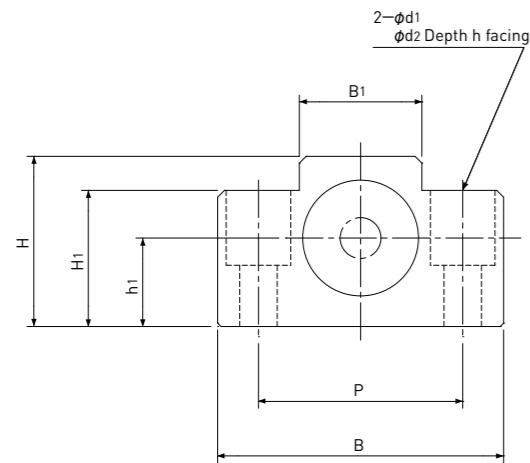
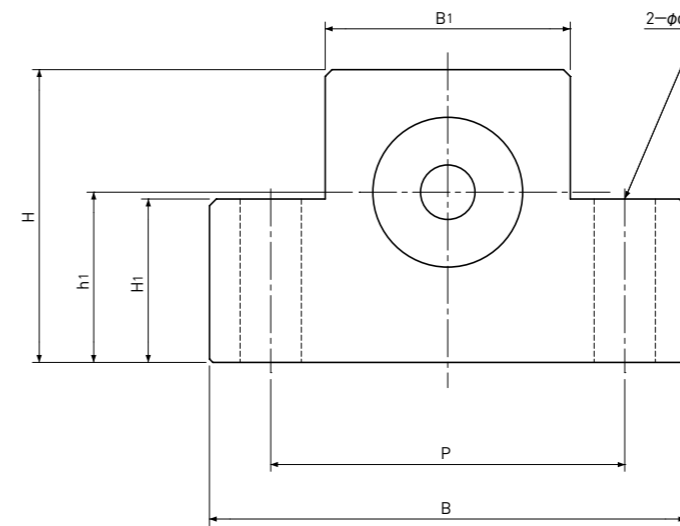
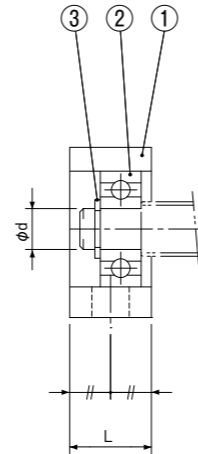


SUP and EF series

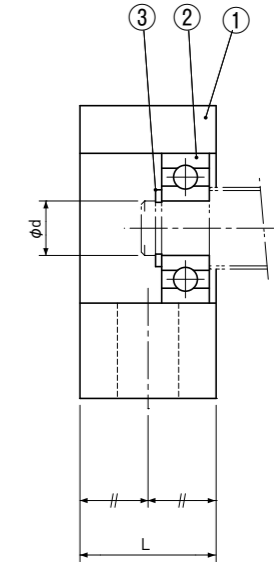
Block type (Supported side)



EF6, EF8 type



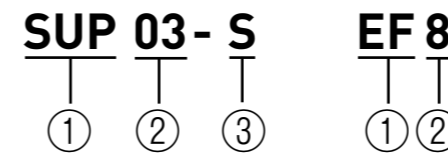
SUP and EF10~EF12 type



Parts List

Part No.	Part name	Qty
1	Housing	1
2	Bearing	1
3	Stop ring	1

Model number notation



- ① Series No.
- ② Nominal number
- ③ Supported side No.

Note) In EF Series nominal No. may not be the same as Bearing Inner diameter.

Unit: mm

Type	Brg. Inner dia. d	L	B	H	$h_1 \pm 0.02$	B ₁	H ₁	P	d ₁	d ₂	h	Bearing	Stop ring	Mass g	Type
SUP03-S	3	10	34	19	10	18	7	26	4.5	—	—	623ZZ	G-3	35	SUP03-S
SUP04-S	4	10	36	21	11	20	8	28	4.5	—	—	624ZZ	G-4	40	SUP04-S
EF 6	6	12	42	25	13	18	20	30	5.5	9.5	11	606ZZ	C6	70	EF 6
EF 8	6	14	52	32	17	25	26	38	6.6	11	12	606ZZ	C6	130	EF 8
EF 10	8	20	70	43	25	36	24	52	9	—	—	608ZZ	C8	330	EF 10
EF 12	10	20	70	43	25	36	24	52	9	—	—	6000ZZ	C10	320	EF 12