

# KSS News-letter of Miniature Ball Screws & Actuators

Topics

## What is "FLEX Actuator"?

### "Super-Compact" single-axis actuator with wide range of variations.

"FLEX" (Flexible) Actuator can be literally combined to the base unit with your choice of; accuracy, lead, shaft travel and the types of motor!! They are unitized so that would also reduce the number of parts and assembling process.

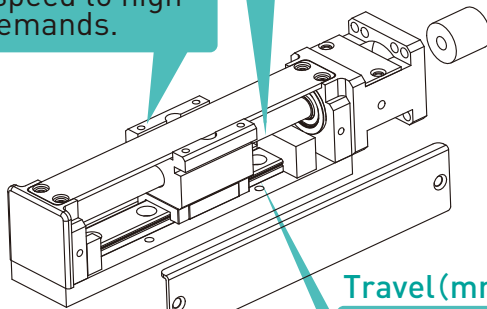
■ Example;

#### Accuracy

Screw can be selected depends on required accuracy.

#### Lead (mm)

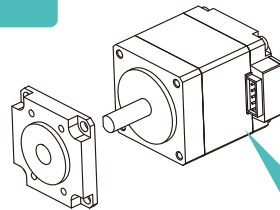
Choice of 1-10mm, as for low speed to high speed demands.



#### Travel (mm)

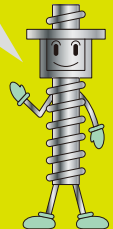
Can be chosen from 20mm-200mm travels.

f<sup>Actuator</sup>  
**FLEX**



#### Motor Type

Motor with size 25mm or 28mm squared can be installed.



#### ■ Options

Below are some special requested versions available



Attached "Photo-micro Sensor"



Reversed-Motor attached version



Attached "Magnetic Brake"

#### Size of the Smallest FLEX Actuator



Varieties of selections available

See Movie of our Flex Actuator here



With our history of more than 40 years of experience with specializing miniature sized Ball Screws, which is with its dia. 1.8mm-16mm. We are sure that we can provide the best support with our expert skills and know-how. We thank you for your consideration.