

Q&A

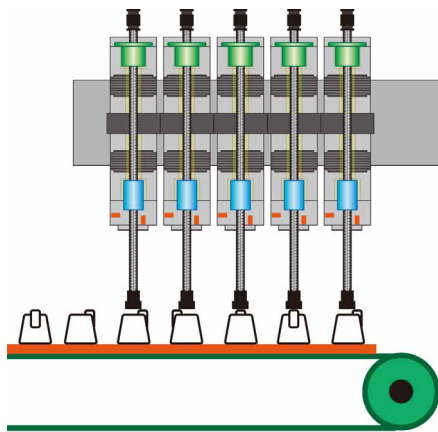
Question:

How to select three (3) types of V-Z- θ Actuator effectively?

KSS provides three (3) types of V-Z- θ Actuator, which are Direct Drive type, Hybrid Drive type and Belt Drive type. It is possible to select one of them according to your specifications or application.

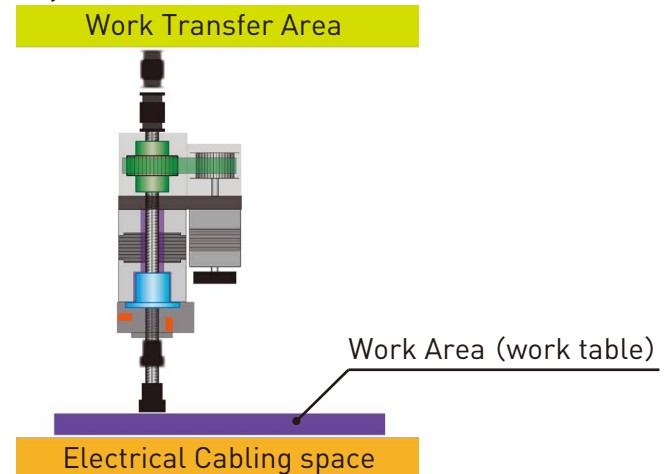
Please refer to the illustrations below as example of effective use of V-Z- θ Actuator.

【Direct Drive】



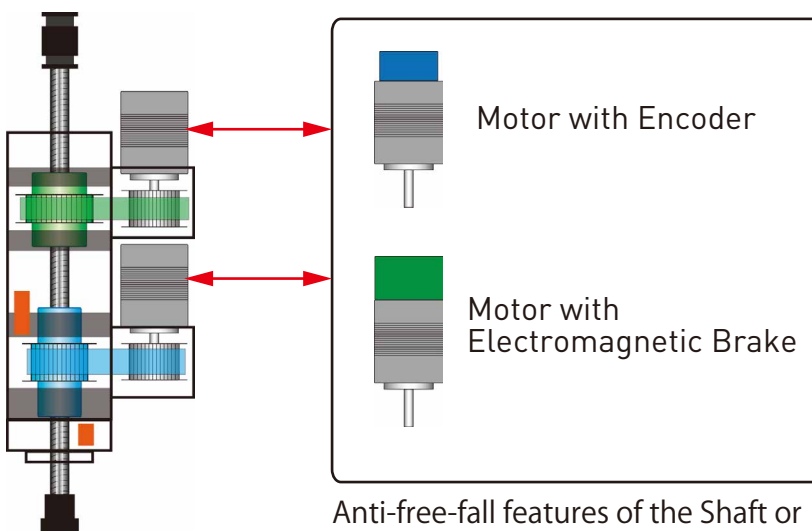
Suitable for use as multi-connected unit, because of its slim body which is mounted all the components, such as Motor and drive shaft on the same axis. include all the components such as Motor and working shafts lined and mounted within the same level.

【Hybrid Drive】



Suitable for use in the limited area in height, because of its compactness of Actuator body length.

【Belt Drive】



Anti-free-fall features of the Shaft or anti-step-out features of the Motor can be achieved by choosing such kind of Motor above,

Each Actuator has different suitability with its use!