

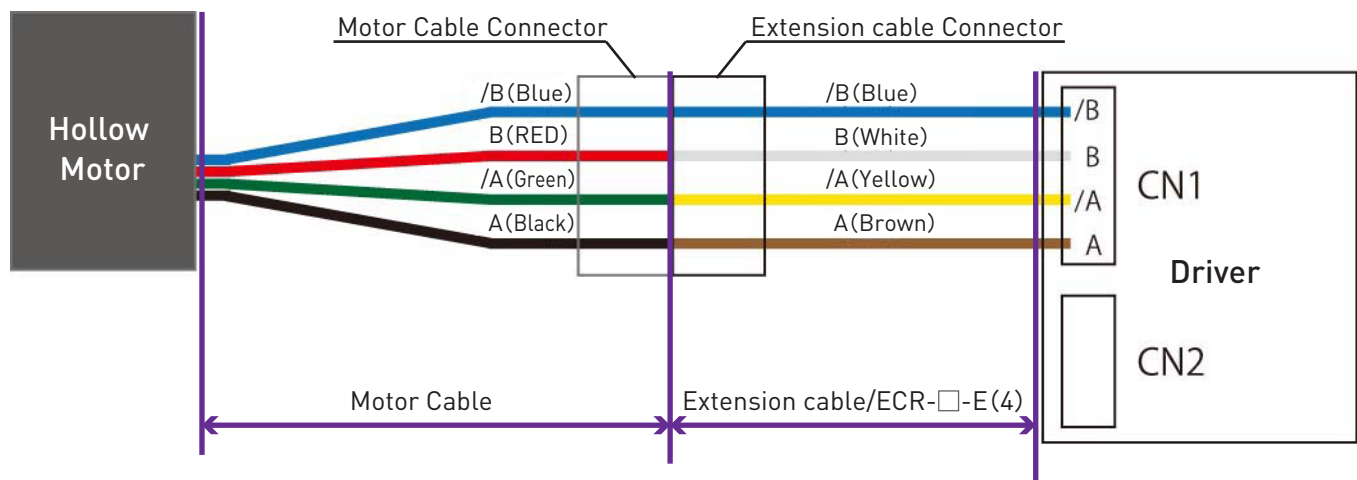
# Q&A

Question:

Please let me know the connection between Hollow Motor and driver.

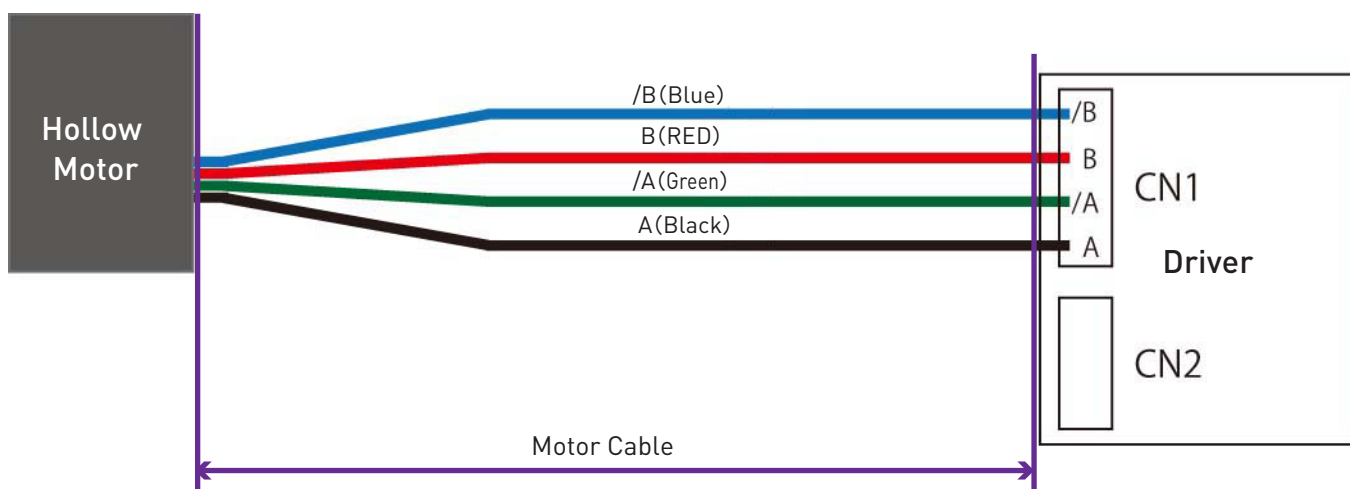
In this time we will introduce 2 ways of wire connection between Hollow Motor and driver; with interconnecting with Extension cable, and direct connection from Motor to driver.

## 【Hollow Motor → Extension cable → Driver Connection】



\*Please do not misplace each cable when using ECR-□-E(4) which they have different color from Motor cable, Please refer to the illustration above to connect each cable.

## 【Hollow Motor → Driver Connection】



Please be careful with  
different color in Motor Cable  
and Extension cable